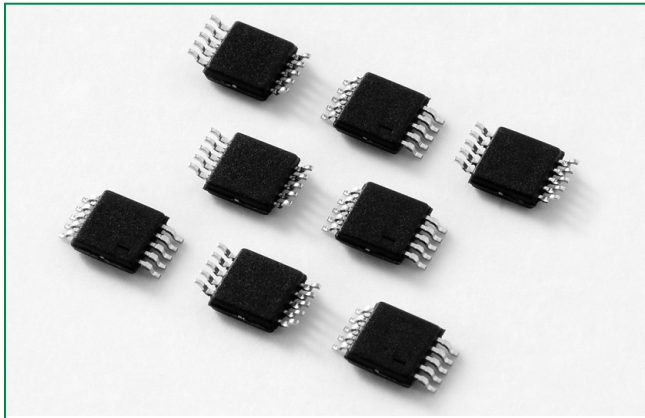
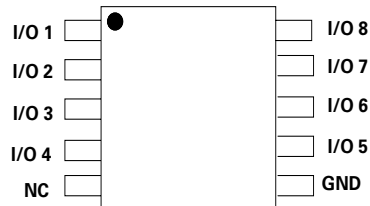


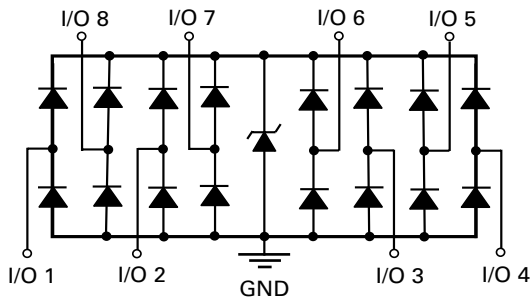
**SP4060 Series 2.5V 20A Diode Array**



**Pinout**



**Functional Block Diagram**



**Additional Information**



[Datasheet](#)



[Resources](#)



[Samples](#)

**Description**

The SP4060 integrates low capacitance diodes with an additional zener diode to protect each I/O pin against ESD and high surge events. This robust device can safely absorb up to 20A per IEC 61000-4-5 ( $t_p=8/20\mu s$ ) without performance degradation and a minimum  $\pm 30kV$  ESD per IEC 61000-4-2 International Standard. Their low loading capacitance also makes them ideal for protecting high speed signal pins.

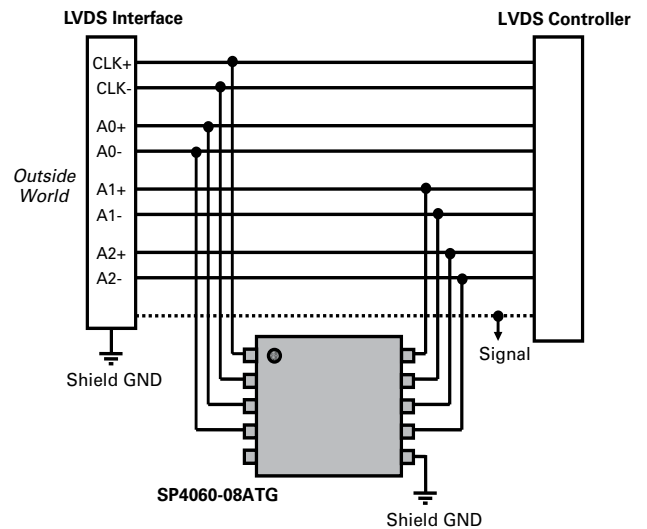
**Features**

- ESD, IEC 61000-4-2,  $\pm 30kV$  contact,  $\pm 30kV$  air
- EFT, IEC 61000-4-4, 40A (5/50ns)
- Lightning, IEC 61000-4-5, 20A (8/20 $\mu s$ )
- Low capacitance of 4.4pF (TYP) per I/O
- Low leakage current of 1 $\mu A$  (MAX) at 2.5V
- Moisture Sensitivity Level (MSL-1)

**Applications**

- LCD/PD TVs
- Desktops
- Game Consoles
- Set Top Boxes
- Notebooks

**Application Example**



Life Support Note:

**Not Intended for Use in Life Support or Life Saving Applications**

The products shown herein are not designed for use in life sustaining or life saving applications unless otherwise expressly indicated.

### Absolute Maximum Ratings

Symbol	Parameter	Value	Units
$I_{PP}$	Peak Current ( $t_p=8/20\mu s$ )	20.0	A
$P_{PK}$	Peak Pulse Power ( $t_p=8/20\mu s$ )	300	W
$T_{OP}$	Operating Temperature	-40 to 125	°C
$T_{STOR}$	Storage Temperature	-55 to 150	°C

CAUTION: Stresses above those listed in "Absolute Maximum Ratings" may cause permanent damage to the device. This is a stress only rating and operation of the device at these or any other conditions above those indicated in the operational sections of this specification is not implied.

### Thermal Information

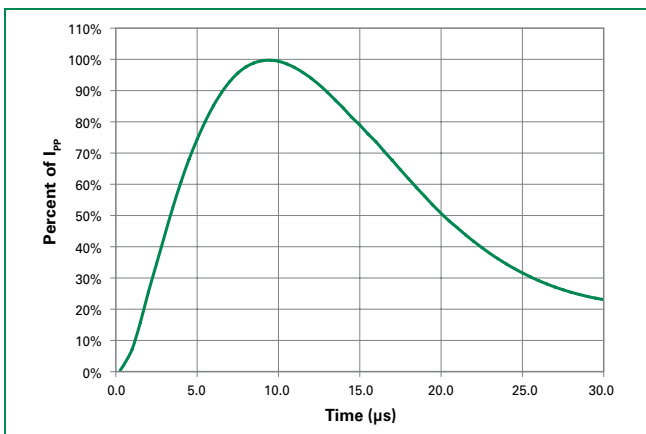
Parameter	Rating	Units
Storage Temperature Range	-55 to 150	°C
Maximum Junction Temperature	150	°C
Maximum Lead Temperature (Soldering 20-40s)	260	°C

### Electrical Characteristics ( $T_{OP}=25^\circ C$ )

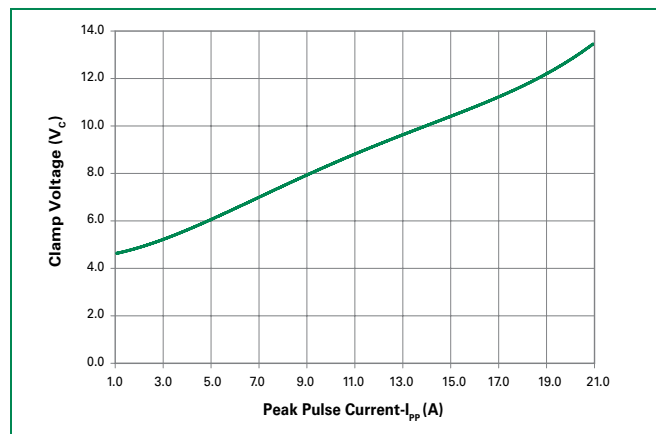
Parameter	Symbol	Test Conditions	Min	Typ	Max	Units
Reverse Standoff Voltage	$V_{RWM}$				2.5	V
Snap Back Voltage	$V_{SB}$	$I_{SB}=50mA$	2.0			V
Reverse Leakage Current	$I_{LEAK}$	$V_R=2.5V$ , I/O to GND		0.5	1.0	$\mu A$
Clamp Voltage <sup>1</sup>	$V_C$	$I_{PP}=1A$ , $t_p=8/20\mu s$ , Fwd		4.5	5.5	V
		$I_{PP}=5A$ , $t_p=8/20\mu s$ , Fwd		6.0	7.2	V
		$I_{PP}=10A$ , $t_p=8/20\mu s$ , Fwd		8.0	9.6	V
		$I_{PP}=20A$ , $t_p=8/20\mu s$ , Fwd		12.5	15.0	V
ESD Withstand Voltage <sup>1</sup>	$V_{ESD}$	IEC61000-4-2 (Contact)	$\pm 30$			kV
		IEC61000-4-2 (Air)	$\pm 30$			kV
Diode Capacitance <sup>1</sup>	$C_{I/O-GND}$	Reverse Bias=0V		4.4	5.0	pF
Diode Capacitance <sup>1</sup>	$C_{I/O-I/O}$	Reverse Bias=0V		2.2		pF

Note: <sup>1</sup> Parameter is guaranteed by design and/or device characterization.

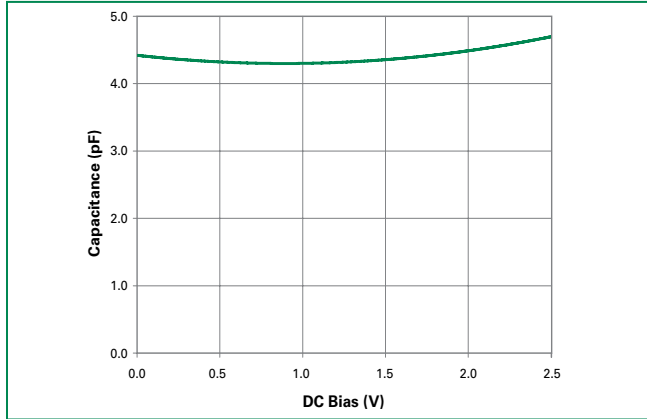
### 8/20 $\mu s$ Pulse Waveform



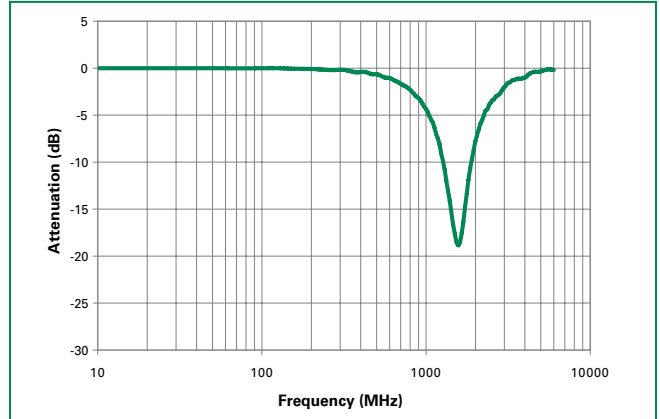
### Clamping Voltage vs. $I_{PP}$



**Capacitance vs. Bias**

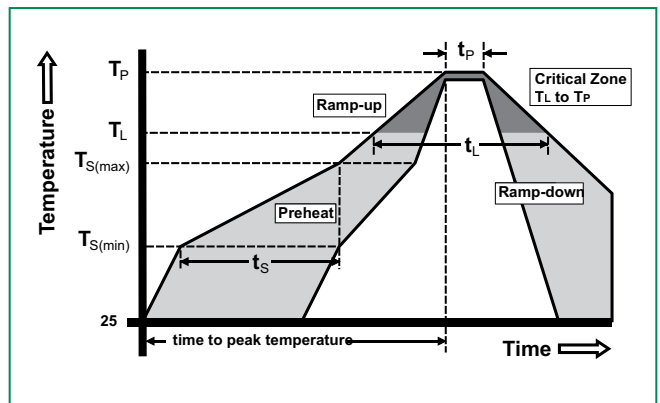


**Insertion Loss (S21) I/O to GND**

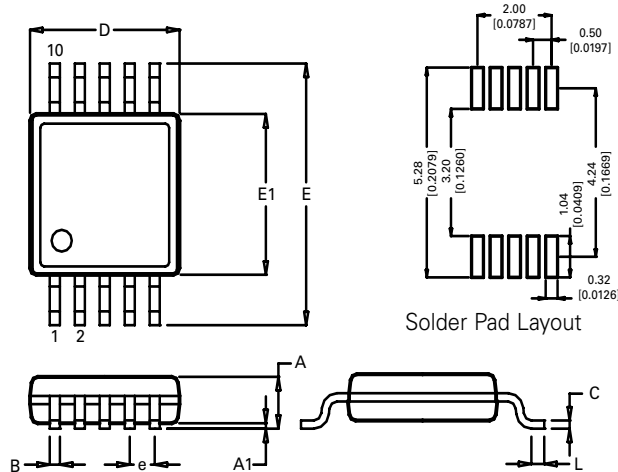


**Soldering Parameters**

Reflow Condition	Pb – Free assembly	
Pre Heat	- Temperature Min ( $T_{s(min)}$ )	150°C
	- Temperature Max ( $T_{s(max)}$ )	200°C
	- Time (min to max) ( $t_s$ )	60 – 180 secs
Average ramp up rate (Liquidus) Temp ( $T_L$ ) to peak		3°C/second max
$T_{s(max)}$ to $T_L$ - Ramp-up Rate		3°C/second max
Reflow	- Temperature ( $T_L$ ) (Liquidus)	217°C
	- Temperature ( $t_L$ )	60 – 150 seconds
Peak Temperature ( $T_p$ )		260 <sup>+0/-5</sup> °C
Time within 5°C of actual peak Temperature ( $t_p$ )		20 – 40 seconds
Ramp-down Rate		6°C/second max
Time 25°C to peak Temperature ( $T_p$ )		8 minutes Max.
Do not exceed		260°C

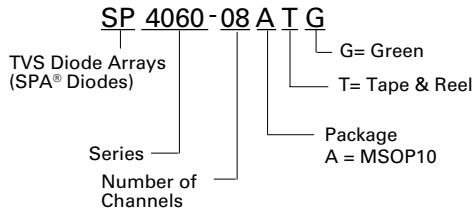


**Package Dimensions – MSOP10**

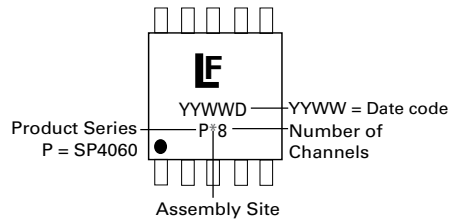


Package	MSOP			
Pins	10			
JEDEC	MO-187			
DIM	Millimeters		Inches	
	Min	Max	Min	Max
A	-	1.10	-	0.043
A1	0.00	0.15	0.000	0.006
B	0.17	0.27	0.007	0.011
c	0.08	0.23	0.003	0.009
D	2.90	3.10	0.114	0.122
E	4.67	5.10	0.184	0.200
E1	2.90	3.10	0.114	0.122
e	0.50 BSC		0.020 BSC	
L	0.40	0.80	0.016	0.032

**Part Numbering System**



**Part Marking System**



**Product Characteristics**

<b>Lead Plating</b>	Pre-Plated Frame
<b>Lead Material</b>	Copper Alloy
<b>Lead Coplanarity</b>	0.0004 inches (0.102mm)
<b>Substitute Material</b>	Silicon
<b>Body Material</b>	Molded Epoxy
<b>Flammability</b>	UL 94 V-0

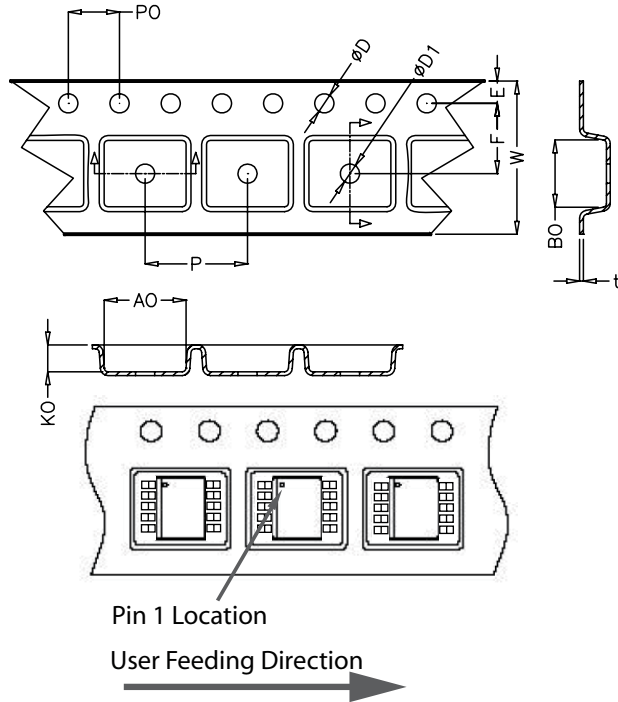
Notes :

1. All dimensions are in millimeters
2. Dimensions include solder plating.
3. Dimensions are exclusive of mold flash & metal burr.
4. Blo is facing up for mold and facing down for trim/form, i.e. reverse trim/form.
5. Package surface matte finish VDI 11-13.

**Ordering Information**

Part Number	Package	Marking	Min. Order Qty.
SP4060-08ATG	MSOP10	P*8	4000

**Embossed Carrier Tape & Reel Specification – MSOP-10**



	Millimetres		Inches	
	Min	Max	Min	Max
<b>E</b>	1.65	1.85	0.065	0.073
<b>F</b>	5.40	5.60	0.213	0.220
<b>D</b>	1.50	1.60	0.059	0.063
<b>D1</b>	1.50 Min		0.059 Min	
<b>P0</b>	3.90	4.10	0.154	0.161
<b>10P0</b>	40.0 ± 0.20		1.574 ± 0.008	
<b>W</b>	11.90	12.10	0.469	0.476
<b>P</b>	7.90	8.10	0.311	0.319
<b>A0</b>	5.20	5.40	0.205	0.213
<b>B0</b>	3.20	3.40	0.126	0.134
<b>K0</b>	1.20	1.40	0.047	0.055
<b>t</b>	0.30 ± 0.05		0.012 ± 0.002	

**Disclaimer Notice - Information furnished is believed to be accurate and reliable. However, users should independently evaluate the suitability of and test each product selected for their own applications. Littelfuse products are not designed for, and may not be used in, all applications. Read complete Disclaimer Notice at [www.littelfuse.com/disclaimer-electronics](http://www.littelfuse.com/disclaimer-electronics).**