



Littelfuse® Developing NEXT GENERATION Products and Continuously Improving TECHNOLOGIES

HWA20 Sealed ATO® Fuse Holder

Specifications

Max Voltage Rating:	80V DC
Max Current Rating:	200A
Number of Cavities:	20
IP Rating:	IP67
Operating Temp:	-40° to 85° C
Mounting Torque:	4 - 6 Nm
Wire Size:	0.5mm - 5.0mm ²

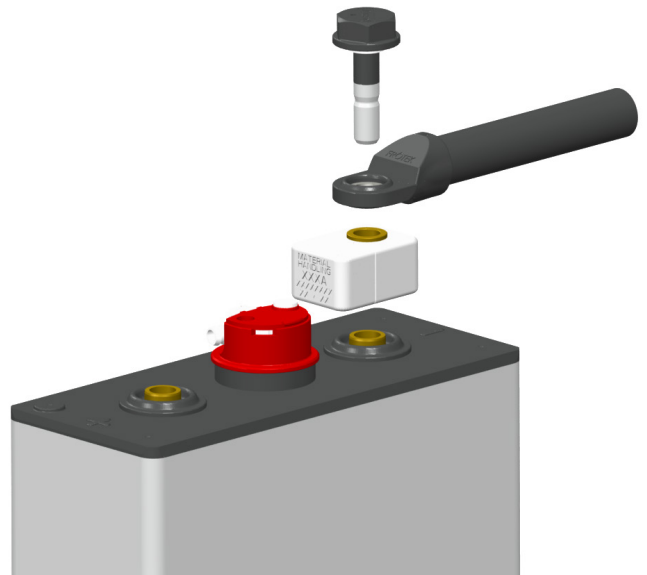


Littelfuse.com/HWA20

Sealed ZCASE for MH Battery

Specifications

Max Voltage Rating:	80V DC
Current Rating:	600A
Geometry Interface:	M10 Screw
IP Rating:	IP67, IP69K
Operating Temp:	-40° to 85° C
UL Rating:	UL94 V0
Chemical Resistance:	Diesel Fuel, Gasoline, Engine Oil, Brake and Battery Fluid

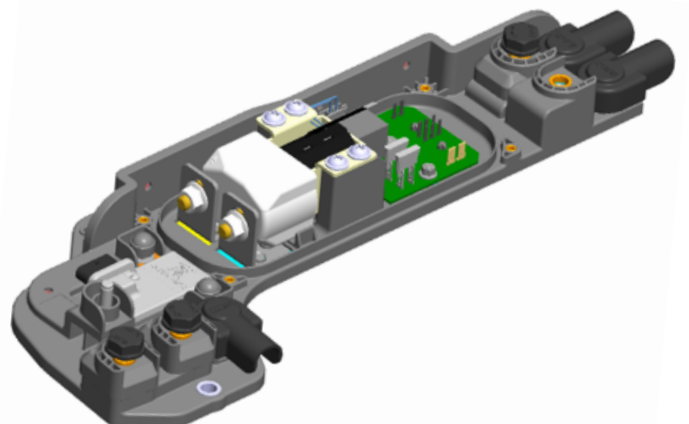


Available: Early 2019

PDU Power Distribution Module

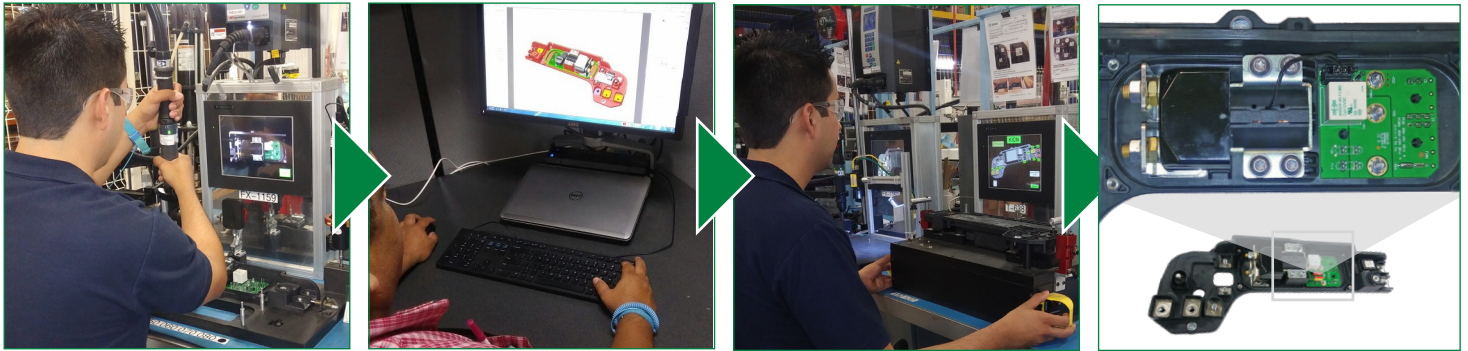
Specifications

Voltage Ratings:	48V DC or 80V DC
Current ZCASE Ratings:	70A, 160A, 200A, 425A and 600A
Geometry Interface:	M10 Screw
IP Rating:	IP67, IP69K
Operating Temp:	-40° to 85° C
UL Rating:	UL94 V0
Chemical Resistance:	Diesel Fuel, Gasoline, Engine Oil, Brake and Battery Fluid



Business Excellence from Concept to Completion

Leading vehicle OEMs look to Littelfuse Commercial Vehicle Products for answers to their Power Distribution, Protection and Control needs. Our innovation, technical expertise and product offerings enable us to provide comprehensive solutions for customer's unique applications. That is the value you can expect from Littelfuse.



Listening & Understanding

- Listen to customer to understand goals
- Review warranty and areas targeted for improvement
- Visit factory to understand customer manufacturing
- Employ APQP design methodology

Design & Prototyping

- Leverage extensive Littelfuse technology portfolio
- Reduce system costs and increase performance
- 3D, mechanical and electrical designs for customer review
- Concept prototyping with 3D prototyped circuits

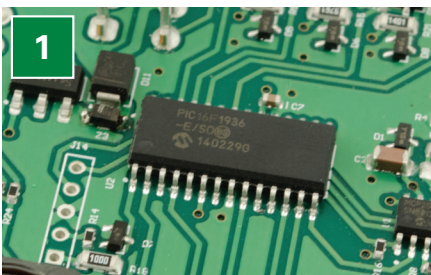
Development & Validation

- Design for manufacturing and cost-based engineering
- Design verification including FMEA, thermal and RF analysis
- Review of early builds with OEM team and field trials
- Production product and process validation

Deliver On Time & Budget

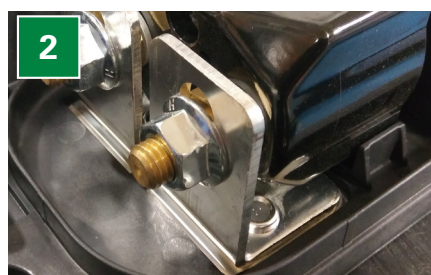
- PPAP product delivered
- Global distribution and support of OEM supply chain
- On-site support for customer's start of production
- Formal post product-launch review for lessons learned and continuous improvements

Products Designed for Your Industry Leading Equipment



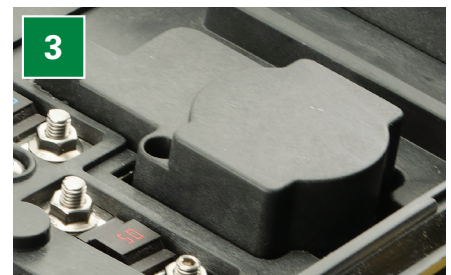
Smart Control: Integrated CAN / LIN Interface

Support CAN (LIN or J1939) interfaces for message based interfaces and diagnostics.



High Current Performance

Expertise in design and production of robust high current electrical systems.



Integrated High-Current Relay

Eliminate cost and liability of connecting external high current relays for power control.



Combine High and Low Current Fuses and Relays

Reduce extra modules by combining high and low current circuits into a single module.



AssureLatch™ Technology

Rugged, sealed enclosures with positive latching provides confidence that module is completely closed.



Robust Connections for High Power Input and Output

Best in class connection systems for sealed, efficient and safe power transfer.