


102/122 Series Circuit Board Mount Fuse Clips for 1/4" Diameter Fuses



Agency Approval

| Agency | Agency File Number | |
|---|--------------------|------------|
|  | 102 Series | 122 Series |
| | E14721 | |

Additional Information



**Datasheet
102 Series**



**Resources
102 Series**



**Samples
102 Series**



**Datasheet
122 Series**



**Resources
122 Series**

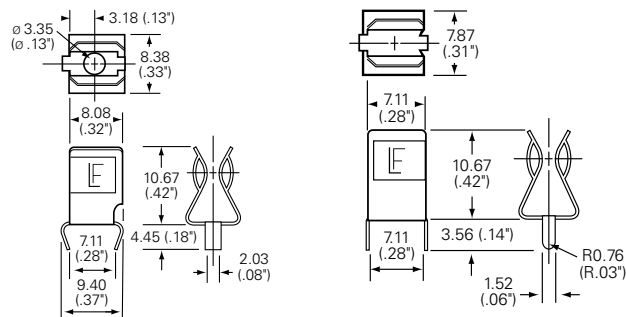


**Samples
122 Series**

Product Characteristics

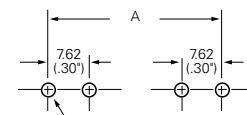
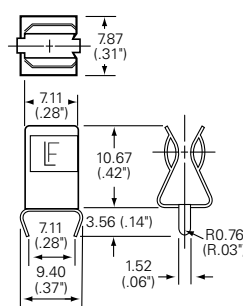
| | 102 Series | 122 Series |
|-----------------------------|---|----------------|
| Compatible Fuse Size | 1/4" Diameter Fuses 312, 313, 314, 326, 505, 506, 508 Series | |
| Current Level | 15 amperes max | 30 amperes max |

Product Dimensions



Bowed Leads for 102 series

Straight Leads for 102 and 122 Series



Recommended Mounting Dimensions

| Nominal Fuse Length | "A" Length |
|---------------------|------------|
| 5/8 | .750 |
| 3/4 | .875 |
| 7/8 | 1.000 |
| 1 | 1.125 |
| 1 1/16 | 1.187 |
| 1 1/4 | 1.347 |
| 1 7/16 | 1.562 |

Ordering Information

| Ordering PN * | Catalog No. | Clip Material | Plating | Style | Packaging Available |
|--------------------------|-------------|---------------------|---------------|---------|---------------------|
| Traditional Clips | | | | | |
| 01020071 | 102 071 | Spring Brass | Tin-plated | Ear | Z |
| 01020074 | 102 074 | Spring Brass | Tin-plated | Earless | Z |
| 01020076 | 102 076 | Spring Brass | Tin-plated | Ear | Z |
| 01220055 | 122 055 | Copper-Nickel Alloy | Tin-plated | Ear | Z |
| 01220083 | 122 083 | Beryllium Copper | Silver-plated | Ear | Z |
| 01220087 | 122 087 | Beryllium Copper | Silver-plated | Earless | Z |
| 01220088 | 122 088 | Beryllium Copper | Tin-plated | Ear | Z & ZR |
| 01220093 | 122 093 | Beryllium Copper | Tin-plated | Earless | Z |
| Bowed Tab Clips | | | | | |
| 01020078 | 102 078 | Spring Brass | Tin-plated | Earless | H & Z |
| 01020079 | 102 079 | Spring Brass | Tin-plated | Ear | Z |
| 01220055Z-1 | 122 055 | Copper-Nickel Alloy | Tin-plated | Ear | - |
| 01220088Z-1 | 122 088 | Beryllium Copper | Tin-plated | Ear | - |

***Add Suffix to the Ordering PN for Packaging:**

"H" = Std. package 100 pcs per pack

"Z" = For bulk package

"ZR" = Tape and reel package, 300pcs