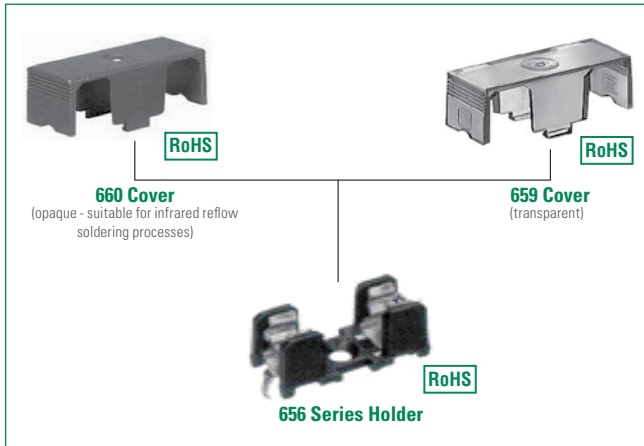
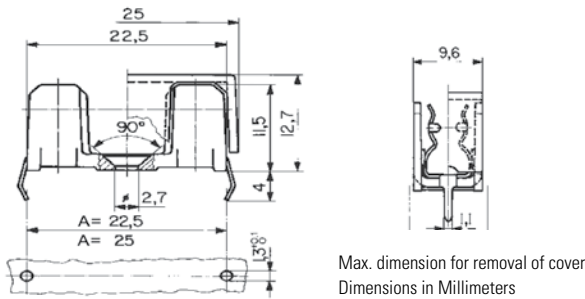


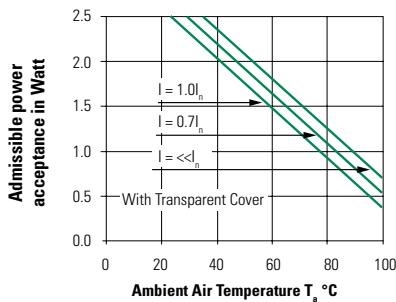
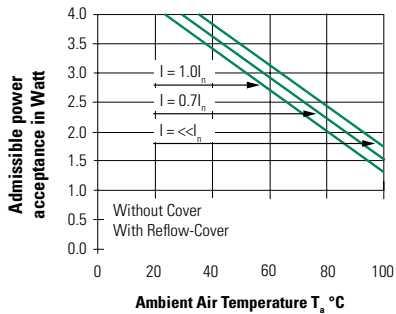
**656 Series Molded Base PC Mount Fuse Block For 5x20mm Fuses**



**Dimensions**



**Re-rating Curves**



**Product Characteristics**

<b>Compatible Fuse Size</b>	<b>5x20mm</b>
<b>Materials</b>	<b>Holder:</b> Black Thermoplastic UL94 V-0
	<b>Metal Parts:</b> Tin plated copper alloy
<b>Electrical Data</b>	<b>Rated Voltage:</b> 250VAC
	<b>Rated Current:</b> 10A
	<b>Rated Power Acceptance</b> (at ambient air temp 23oC):
	- 4W without cover - 4W with 660 cover - 2.5W with 659 cover
<b>Mounting</b>	656: Solder pins 0.4mmx1.1mm Ø 2.7mm screw hole may be used optionally
<b>Operating Temperature</b>	-40°C to +85°C
<b>Climatic Category</b>	40/085/21 according to IEC 60068-1
<b>Stock Conditions</b>	0 °C to 60 °C, at max. 70% relative humidity
<b>Vibration Resistance</b>	According to IEC 60068-2-6, Test Fc
<b>Contact Resistance</b>	<5mΩ
<b>Dielectric Strength</b>	> 3kV, 50 Hz, 1 min.
<b>Impulse withstand Voltage</b>	> 4kV between life parts
<b>Insulation Resistance</b>	(500 V DC/1 min): >10 MΩ between live parts of different potentials
<b>Solderability</b>	245°C/3 sec. according to IEC 60068-2-20, Test Ta, method 1
<b>Soldering Heat Resistance</b>	260°C/10 sec. according to IEC 60068-2-20, test Tb method 1
<b>Minimum Cross Section</b>	Conducting path - 0.2mm <sup>2</sup>
<b>Torque/fixing screw</b>	Max. 0.3 Nm

**Note:** If used with covers, refer to [Fuseology](#) for information on proper fuse block re-rating.

**Agency Approval**

Agency	Agency File Number
	40001499
	E70164

**Additional Information**



Datasheet



Resources



Samples

**Ordering Information**

Part Number	Description	Packaging
<b>65600001009</b>	Fuse Block - "A" dimension 22.5mm	Bulk Pack (100 Pcs)
<b>65600001409</b>	Fuse Block - "A" dimension 25mm	Bulk Pack (100 Pcs)
<b>65900000009</b>	Fuse Holder Cover - Transparent plastic	Bulk Pack (100 Pcs)
<b>660000001009</b>	Fuse Holder Cover - Opaque plastic, suitable for infrared (IR) reflow soldering process	Bulk Pack (100 Pcs)