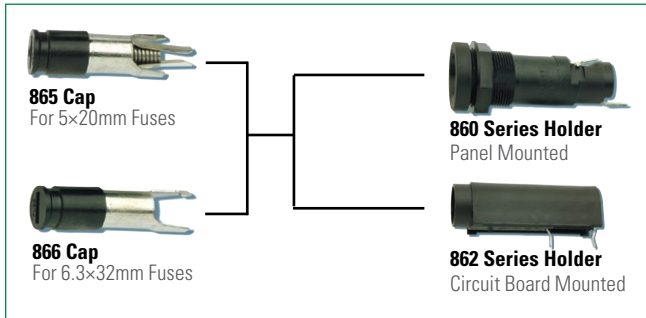
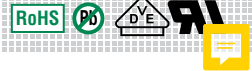


860/862 Series Enclosed Fuse Holders for 5×20mm and 6.2×32mm Fuses



**Agency Approval**

Agency	Agency File Number	
	860 Series	862 Series
	40048042	N/A
	E70164	E70164

**Additional Information**



Datasheet  
860 Series



Datasheet  
862 Series



Resources  
860 Series



Resources  
862 Series



Samples  
860 Series



Samples  
862 Series

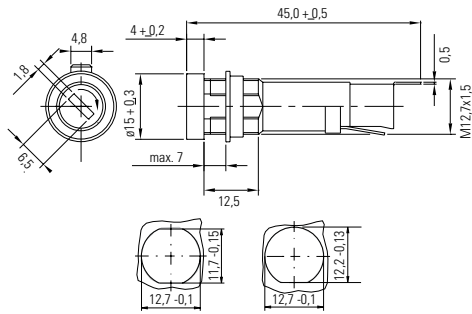
**Product Characteristics**

	860 Series	862 Series
<b>Compatible Fuses</b>	5×20mm 6.3×32mm	
<b>Materials</b>	<b>Holder/Cap:</b> Black Thermoplastic, UL 94V0	
	<b>Metal Parts:</b> Copper alloy, corrosion protected	
	<b>Terminals:</b> Solderable tinned	
<b>Electrical Data (23°C)</b>	<b>Rated Voltage:</b> 250V	
	<b>Rated Current:</b> 10A (VDE) 16A (CSA) 20A (UL)	<b>Rated Current:</b> 10A 16A (UL/CSA)
	<b>Rated Power:</b> 4.0W (VDE)	<b>Rated Power:</b> 862/865: 2.5W 862/866: 3.2W
<b>Mounting</b>	12.7mm diameter D-hole or double D-hole Admissible torque on plastic hex nut is 1.2Nm	(2) Solder pins 0.5mm×1.1mm and plastic stud Pins are kicked for optimal soldering
<b>Terminals</b>	Solderable or 4.8mm quick connect-fits 0.5mm tab	Solderable tinned
<b>Protection Class &amp; Category</b>	IP 40 (IEC 60529) PC2 (IEC 60127-6)	IP 40 (IEC 60529) PC2 (IEC 60127-6)
<b>Operating Temperature*</b>	-40°C to +85°C	
<b>Climatic Test</b>	-40°C/+85°C/21 days (IEC 60068-2-1...3)	
<b>Stock Conditions</b>	+10°C to +60°C relative humidity ≤ 75% yearly average, without dew, maximum value for 30 days - 95%	
<b>Vibration Resistance</b>	24 cycles at 15 min. each (IEC 60068-2-6) 10 - 60Hz at 0.75mm amplitude 60 - 500Hz at 10g acceleration	
<b>Contact Resistance</b>	≤ 5mΩ	
<b>Impulse Voltage</b>	4 kV, 50Hz, 1 min., dry	
<b>Insulation Resistance</b>	> 10 <sup>3</sup> MΩ (500VDC, 1 min.)	
<b>Solderability</b>	235°C, 2 sec. (Wave) 350°C, 1 sec. (Soldering Iron)	
<b>Soldering Heat Resistance</b>	350°C, 5 sec. (IEC 60068-2-20)	
<b>Minimum Cross Section</b>	Conductor - 2.5mm <sup>2</sup>	Conducting path - 0.2mm <sup>2</sup>
<b>Marking</b>	860, 250V, Approvals	862, 250V, Approvals
<b>Unit Weight</b>	5.3g (860) / 5.6g (862) / 3.3g (865) / 2.5g (866)	

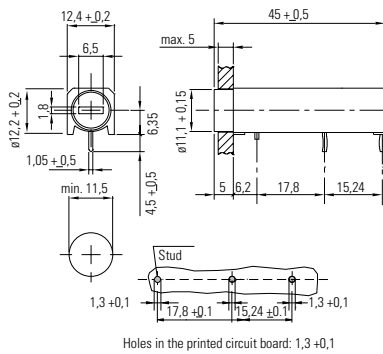
\* - Refer to [Fuseology](#) for information on proper fuseholder re-rating.

**Dimensions**

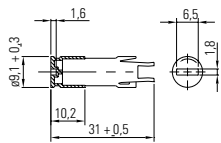
**860 Series**



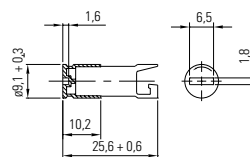
**862 Series**



**865 Series**



**866 Series**



**Ordering Information**

Description	Ordering Number	Packaging
860 Series Holder	86000001009	Bulk 100
862 Series Holder	86200001009	Bulk 100
865 Series Knob	86500001009	Bulk 100
866 Series Knob	86600001009	Bulk 100

**Disclaimer Notice** - Information furnished is believed to be accurate and reliable. However, users should independently evaluate the suitability of and test each product selected for their own applications. Littelfuse products are not designed for, and may not be used in, all applications. Read complete Disclaimer Notice at: [www.littelfuse.com/disclaimer-electronics](http://www.littelfuse.com/disclaimer-electronics).