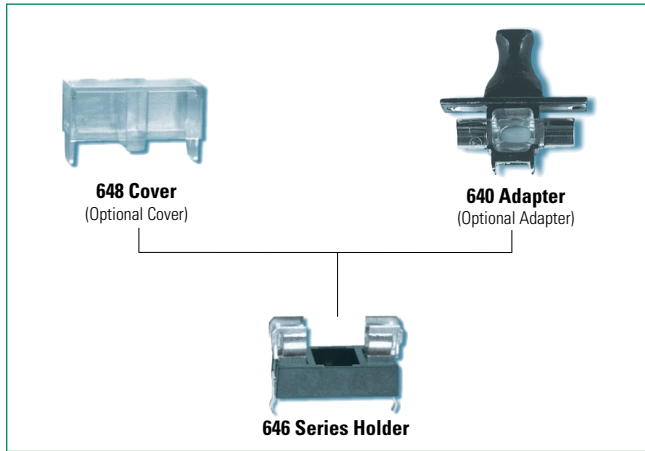


### 646 Series Molded Base Fuse Block For 5x20mm Fuses

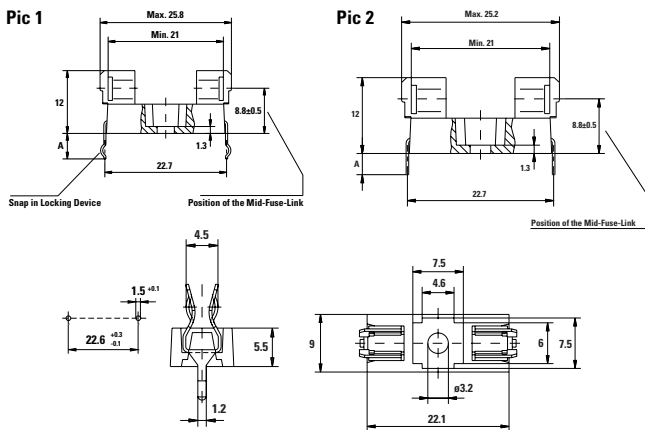


#### Product Characteristics

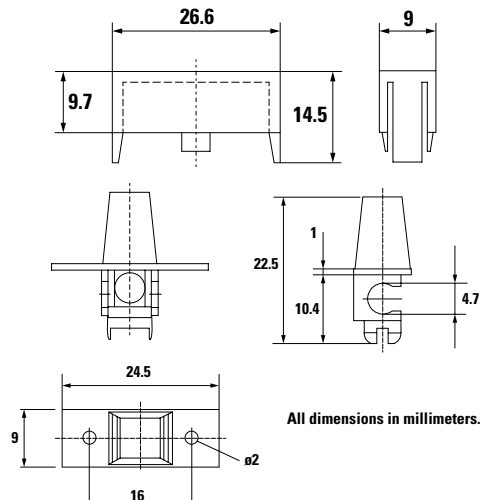
Compatible Fuse Sizes	For 5x20mm Fuses
<b>Materials</b>	<b>Holder:</b> Black Thermoplastic, UL94 V-0 Polyamide PA 6.6
	<b>Cover:</b> Transparent Thermoplastic, UL94 V-0, Polycarbonate PC
	<b>Adapter:</b> Polyester PBT, UL94 V-0
	<b>Metal Parts:</b> Tin plated Copper alloy
<b>Electrical Data (23°C)</b>	<b>Rated Voltage:</b> 250V
	<b>Max. Current/Power:</b> 6.3A/2.5W 5A/1W (with No. 648) 6.3A/1.6W (with No. 640)
<b>Mounting</b>	Solder pins 0.5mmx1.2mm Ø 3mm screw hole may be used optionally
<b>Minimum Cross Section</b>	Conducting path - 0.2mm <sup>2</sup>
<b>Unit Weight</b>	1.6g (Holder), 1.0g (Cover), 1.0g (Adapter)

**Note:** If used with cover, refer to [Fuseology](#) for information on proper fuse block re-rating.

#### Dimensions



#### Recommended Hole Pattern



**Note:** 1.00 means the number one with two decimal places. 1,000 means the number one thousand. Contact Littelfuse for an auto-insertable fuse, holder and adapter assembly.

#### Ordering Information

Ordering PN	Description	Pic	Meas. "A"	For PCB-Thickness
64600001003	Fuse Block	1	5mm	3mm
64600001223	Fuse Block	1	3.2mm	1.5mm
64600001233	Fuse Block	2	3.3mm	1.5mm

Ordering PN	Description	Fuse PN	Block PN
64612007113	Fuse & Block Assy.	0215002.MXP	6460001233
64612007123	Fuse & Block Assy.	0219002.MXAP	
64614007143	Fuse & Block Assy.	0218004.MXP	

Ordering PN	Description
64000001003	Adapter - Black
64000001403	Adapter - Brown
64000001503	Adapter - White
64000001603	Adapter - Yellow
64000001703	Adapter - Green
64000001903	Adapter - Blue
64800001009	Clear Cover

#### Additional Information



Datasheet



Resources



Samples