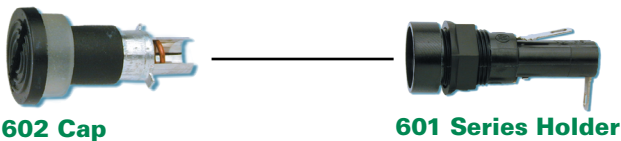


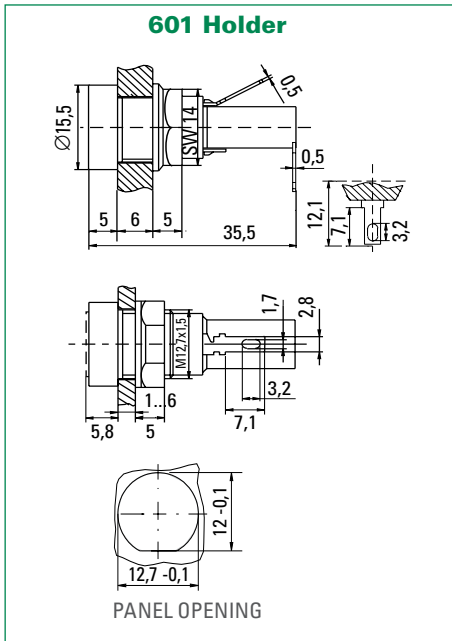
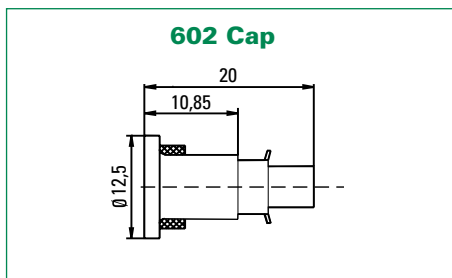
601/602 Series Shock-Safe Panel Mount Fuse Holder for 5x20mm Fuses



602 Cap
Design 00: without silicon washer (IP 40)
Design 04: with silicon washer (IP 54)
(from front side only)

601 Series Holder

Dimensions (in mm)



Additional Information



Datasheet 601 Series



Resources 601 Series



Samples 601 Series



Datasheet 602 Series



Resources 602 Series



Samples 602 Series

Product Characteristics

Compatible Fuses	5x20mm
Materials	Holder: Black Duroplast Phenolplast PF, UL94 V-0
	Cap: Black Thermoplastic Polyamide PA6.6, UL94 V-0
	Sealing Washer: Novapress Multi (Cap 602 04)
	Metal Parts: Copper alloy, corrosion protected
Electrical Data (23°C)	Terminals: Solderable, tinned
	Rated Voltage: 250V
	Rated Current: 6.3A (SEMKO/VDE) 16A (UL/CSA) Rated Power: 4W (SEMKO/VDE)
Mounting	12.7mm diameter D-hole Admissible torque on plastic hex nut is 1.2Nm
Terminals	Solderable or 2.8mm quick connect-fits 0.5mm tab
Protection Class & Category	IP 40 (with Cap 602 00 acc. to IEC 60529) IP 54 (with Cap 602 04 acc. to IEC 60529) PC2 (IEC 60127-6)
Operating Temperature	-25°C to +70°C (consider de-rating)
Climatic Test	-25°C/+70°C/21 days (IEC 60068-2-1...3)
Stock Conditions	+10°C to +60°C relative humidity ≤ 75% yearly average, without dew, maximum value for 30 days - 95%
Vibration Resistance	24 cycles at 15 min. each (IEC 60068-2-6) 10 - 60Hz at 0.75mm amplitude 60 - 2000Hz at 10g acceleration
Dielectric Strength	> 1.5 kV
Impulse Voltage	4 kV, 50 Hz, 1 min., dry
Insulation Resistance	> 10 ⁹ MΩ (500 VDC, 1 min.)
Solderability	235°C, 3 sec. (Wave) 350°C, 1 sec. (Soldering Iron)
Soldering Heat Resistance	260°C, 5 sec. (IEC 60068-2-20)
Minimum Cross Section	Conductor - 2.5mm ²
Marking	601, 250V, Approvals
Unit Weight	4.0g (Holder) / 1.9g (Cap)
Standards	IEC 60127-6 UL 512 CSA C22.2, No. 39

Agency Approvals

Agency	Agency File Number
	SEMKO certificate 608494
	UL Recognized file number E 70164
	CSA Certified: file number 47574
	VDE License Number 132224

Ordering Information (Packaged bulk 100 pieces)

Item	Ordering Number
Holder	601 0000 000
Cap, without washer, IP 40	602 0000 000
Cap, with washer, IP 54	602 0000 040

Notes:
- Please also refer to Littelfuse series 850 and 851 for new designs
- 1.00 means one with two decimal places and 1,000 means the number one thousand