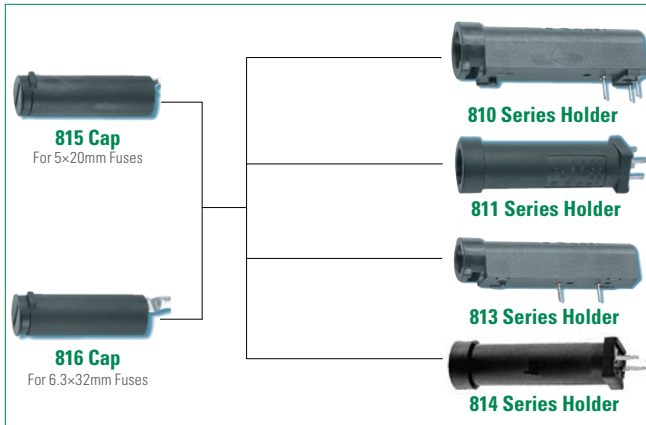
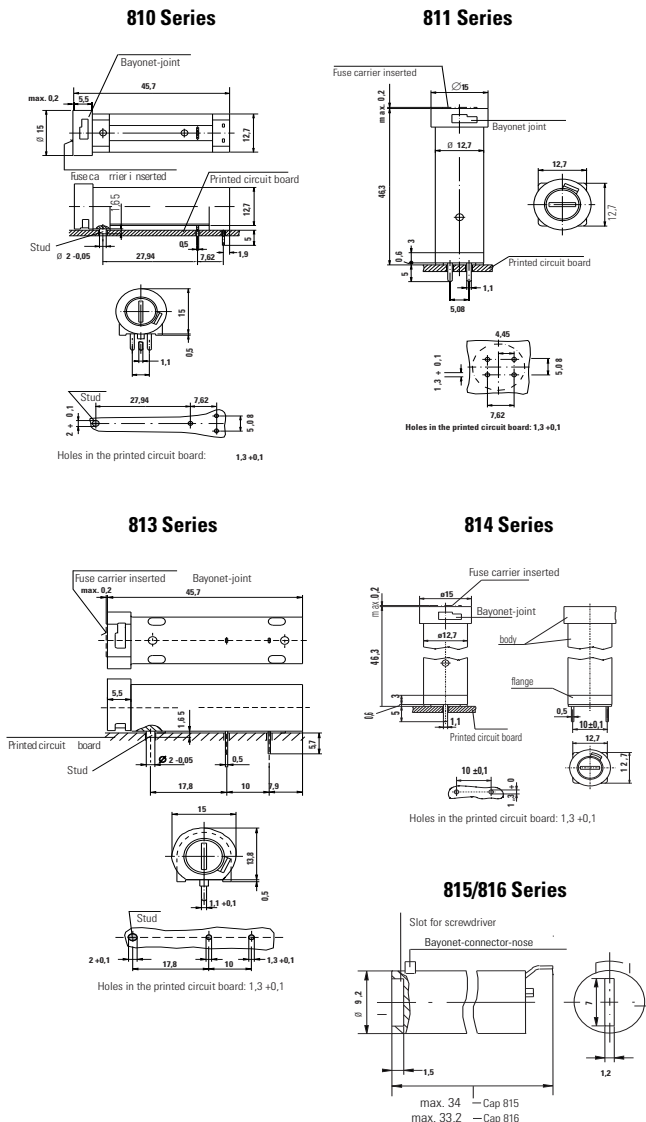


810/811/813/814 Series Circuit Board Mount Enclosed Fuse Holders



Dimensions



| Product Characteristics | | | | |
|--|---|---|---|-------------------------------|
| | 810 Series | 811 Series | 813 Series | 814 Series |
| Compatible Fuse Types | 5x20mm 6.3x32mm | 5x20mm 6.3x32mm | 5x20mm 6.3x32mm | 5x20mm 6.3x32mm |
| Materials | Holder/Cap: Black Thermoplastic, UL94 V-0 Metal Parts: Copper alloy, corrosion protected Terminals: Solderable, tinned | | | |
| Electrical Data (23°C) | Rated Voltage: 250V Rated Current: 6.3A (VDE) 16A (UL/CSA) | | | |
| | Rated Power: 2.5W (VDE) | Rated Power: 1.6W (813+815-VDE) 2.5W (813+816-VDE) | Rated Power: 1.6W (814+815-VDE) 2.5W (814+816-VDE) | |
| Mounting | (3) Solder pins 0.5mm × 1.1mm and plastic stud. The pins spaced at 5.08mm form a common connection. | (4) Solder pins 0.5mm × 1.1mm The pins spaced at 5.08mm form a common connection. | (2) Solder pins 0.5mm × 1.1mm and plastic stud | (2) Solder pins 0.5mm × 1.1mm |
| Protection Class & Category | IP 40 (IEC 60529) PC2 (IEC 60127-6) | | | |
| Operating Temperature | -25 °C to 70 °C | | | |
| Climatic Test | -25°C/+70°C/21 days (IEC 60068-2-1...3) | | | |
| Stock Conditions | +10°C to +60°C relative humidity ≤ 75% yearly average, without dew, maximum value for 30 days - 95% | | | |
| Vibration Resistance | 24 cycles at 15 min. each (IEC 60068-2-6) 10 - 60Hz at 0.75mm amplitude 60 - 2000Hz at 10g acceleration | | | |
| Contact Resistance | ≤ 5mΩ | | | |
| Dielectric Strength | > 1.5 kV | | | |
| Impulse Voltage | 4 kV, 50 Hz, 1 min., dry | | | |
| Insulation Resistance | > 10 ⁹ MΩ (500 VDC, 1 min.) | | | |
| Solderability | 235°C, 3 sec. (Wave) 350°C, 1 sec. (Soldering Iron) | | | |
| Soldering Heat Resistance | 260°C, 5 sec. (IEC 60068-2-20) | | | |
| Min Cross Section | Conducting path - 0.2mm ² | | | |
| Marking | 810, 250V, Approvals | 811, 250V, Approvals | 813, 250V, Approvals | 814, 250V, Approvals |
| Unit Weight | 5.4g (Holder) / 2.5g (Cap) | 5.2g (Holder) / 2.5g (Cap) | 5.8g (Holder) / 2.5g (Cap) | 4.6g (Holder) / 25g (Cap) |

Note: Refer to Fuseology for information on proper fuseholder re-rating

| Dimensions | | | | |
|--------------------|-------------|--------|--------|--------|
| Agency | Part Number | | | |
| | 810 | 811 | 813 | 814 |
| Agency File Number | | | | |
| | 118611 | 120642 | 118349 | 118347 |
| | E70164 | | | |
| | 47574 | | | |

Ordering Information

| Description | Ordering Number | Packaging |
|-------------------|-----------------|-----------|
| Cap, 5x20 mm | 81500000005 | Bulk 100 |
| Cap, 6.3x32 mm | 81600000005 | Bulk 100 |
| 810 Series Holder | 81000000005 | Bulk 100 |
| 811 Series Holder | 81100000005 | Bulk 100 |
| 813 Series Holder | 81300000005 | Bulk 100 |
| 814 Series Holder | 81400000005 | Bulk 100 |

Additional Information



Datasheet
810 Series



Resources
810 Series



Samples
810 Series



Datasheet
811 Series



Resources
811 Series



Samples
811 Series



Datasheet
813 Series



Resources
813 Series



Samples
813 Series



Datasheet
814 Series



Resources
814 Series



Samples
814 Series